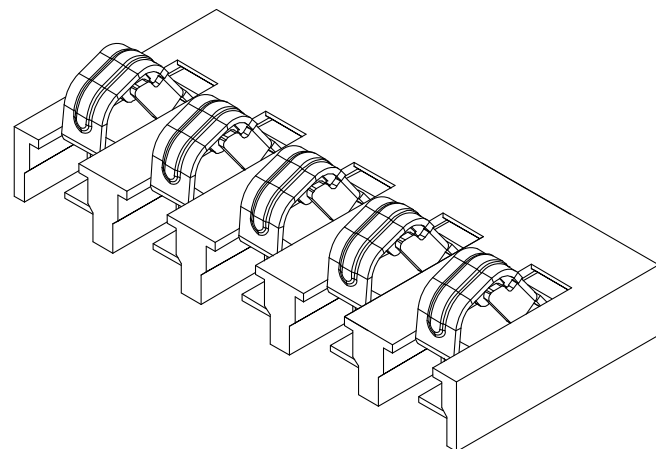
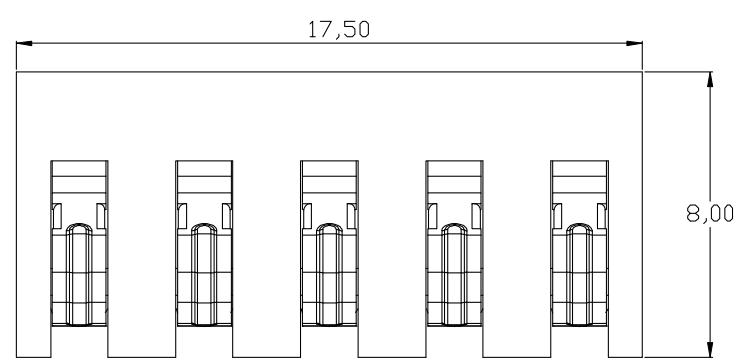


F E D C B A

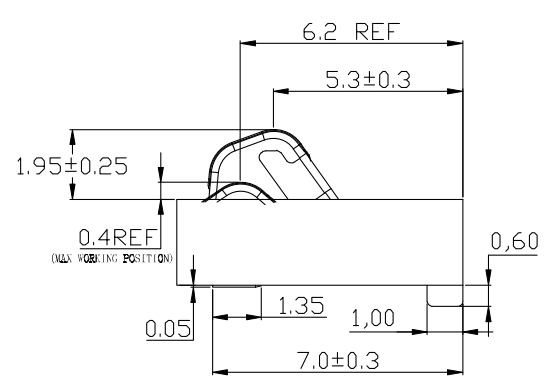
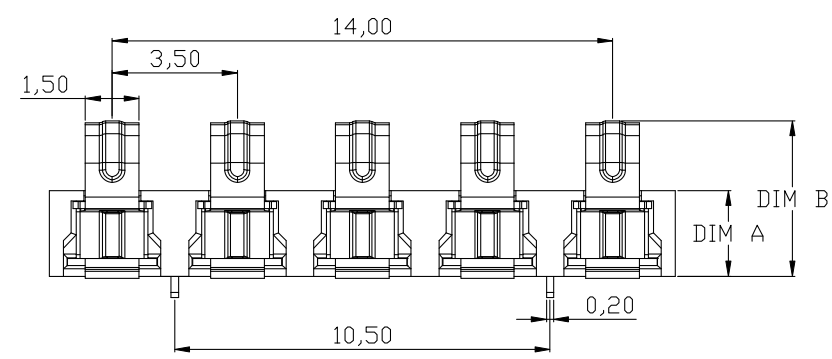
1



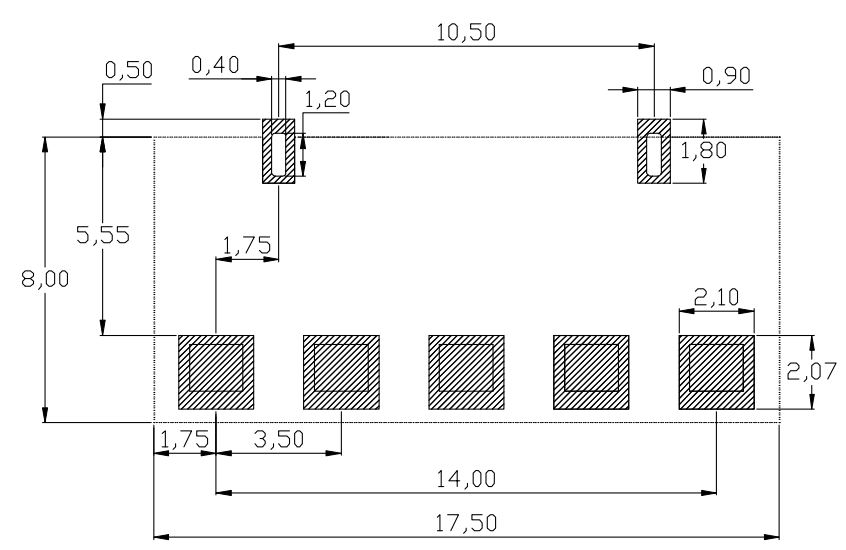
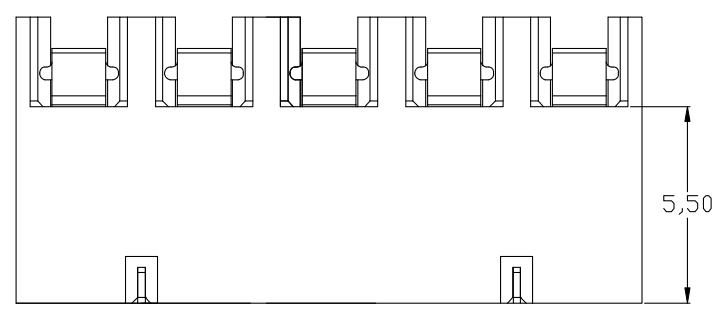
性能:

- 额定电流: 5.0A
- 额定电压: 24V
- 耐电压: 500V
- 接触电阻: 30mΩ MAX
- 绝缘电阻: 500MΩ
- 工作温度: -40℃~+85℃
- 塑件(材质): LCP E130I, 耐高温260℃
- 弹片(材质): 磷青铜C5210, 触点镀金3U
- 按压寿命: 5000次以上

2



3



RECOMMENDED PCB LAYOUT
TOP VIEW (.XX±0.05)

4

PART NO.	DIM A	DIM B	2	HOUSING	LCP	1	BLACK
BC-1-517-C01	2.4	4.35±0.25	1	CONTACT TERMINAL	PHOSPHOR BRONZE	3	Au PLATED
BC-1-517A-C01	3.5	5.45±0.25	NO.	PARTS	MATERIAL	QTY.	FINISHING

东莞市迪松电子科技有限公司

PART NAME		CONNECTOR		DRAWING	G.B.Wu	DWG.No.	DS-BC-111
PART NO.		BC-1-517 517A-C01		CHECK	Q.L.Dai	REV.	A0
UNIT : mm	TOLERANCE	UP TO 5	±0.2	APPROVAL	SCALE	DATE	11-08-2023
	OTHERWISE	ABOVE 5 30	±0.3			PAGE	1 OF 1
		ANGLE	0°±3'	2:1			

COPYRIGHT RESERVED, PLEASE DO NOT COPY.

F E D C B A