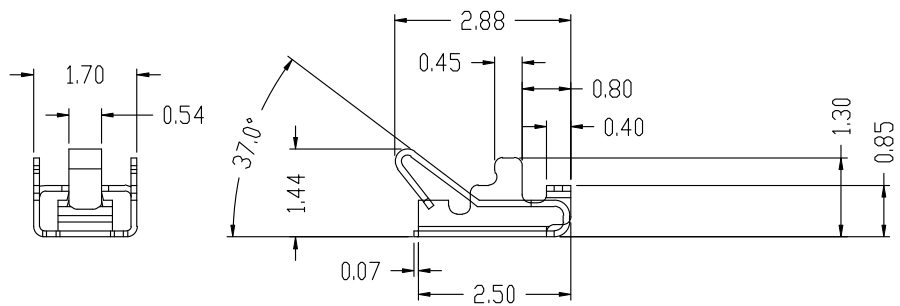
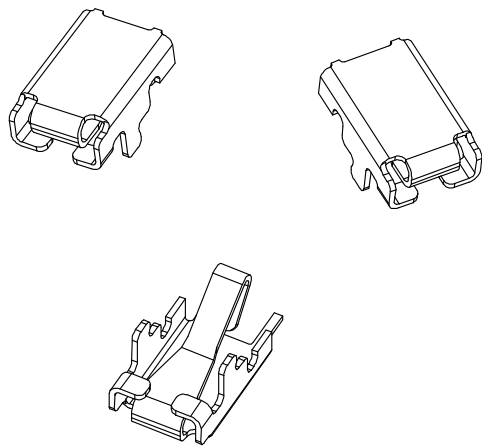




Rev.	ECN Number	Description	Date	Drawn	Checkd	Approved



NOTES:
 1: 材质 SUS304
 2: 表面处理 整体镀镍 50", 触点镀金1u", 焊盘镀金GOLDFLASH
 3, 性能:
 接触电阻: 50mΩ MAX.
 使用温度: -20° C~+65° C.
 4, 包装.: 卷带包装

迪克松

迪克松	GENERAL TOLERANCE		SCALE:	DRAWN	DATE	DWG. NO.	TITLE	REV.
	XX. ±0.50		1:1	Chen	2023. 2. 13			(CUSTOMER DRAWING)
	X. ±0.35	X.° ±2.0°	UNIT:	CHECK	DATE	PARTS NO.(INTENDED USE)	SHEET	
	.X ±0.15	.X° ±1.0°	mm	APPROVE	DATE			
.XX ±0.1	.XX° ±0.5°	SIZE: A4	AS-204		2.5X1.7X1.4	1/1		