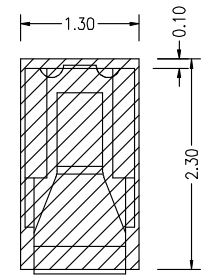
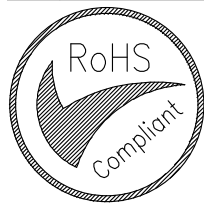
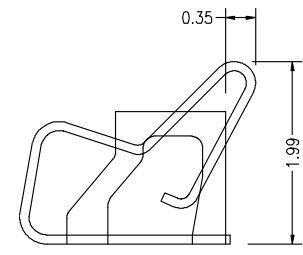
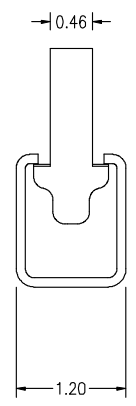
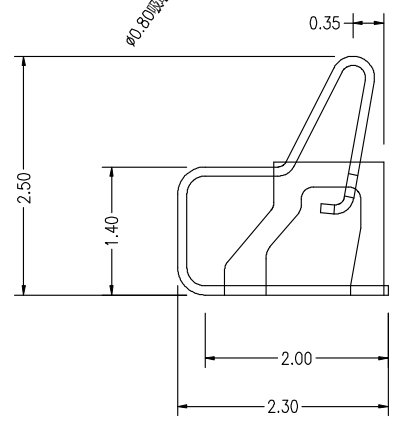
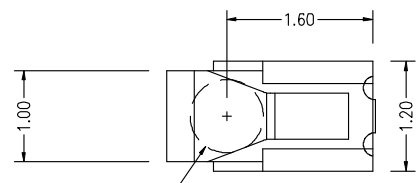


Rev.	ECN Number	Description	Date	Drawn	Checkd	Approved



RECOMMENDED PCB LAYOUT
TOLERANCE ±0.05MM



工作状态

NOTES:

- 1: 材质 SUS304
- 2: 表面处理 整体镀镍 50", 触点与焊盘位置镀金1u"
- 3: 性能:
接触电阻: 50mΩ MAX.
使用温度: -20° C~+65° C.
自由高度预压力 0.2N
工作高度位置接触点压力0.5N
- 4: 包装.: 卷带包装

DISONG

GENERAL TOLERANCE	XX. ±0.50		SCALE: 1:1	DRAWN	DATE	DWG. NO.	TITLE (CUSTOMER DRAWING) Antenna Spring, SMT, L2.3*W1.2*H2.5mm	REV.
	X. ±0.35	X.° ±2.0°		Chen	2019. 9. 10			A
	.X ±0.25	.X° ±1.0°	UNIT: mm	CHECK	DATE	SHEET		
	.XX ±0.15	.XX° ±0.5°	SIZE: A4	APPROVE	DATE	1/2		
PARTS NO. (INTENDED USE) AS-037B								